



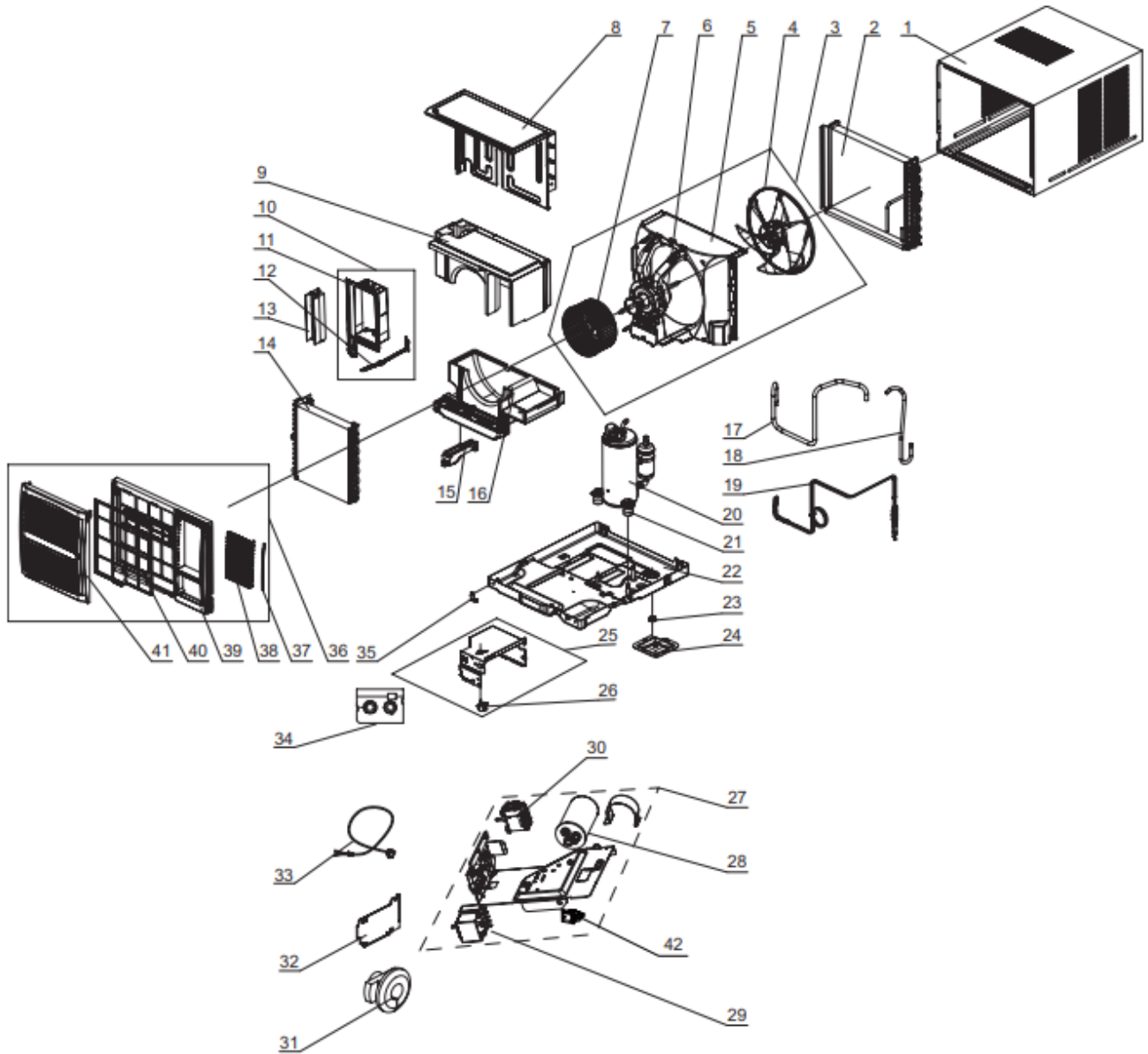
COOLING ONLY WINDOW

SPARE PARTS LIST

August 2023

GJC05AI-K6NMNR1A

Exploded View



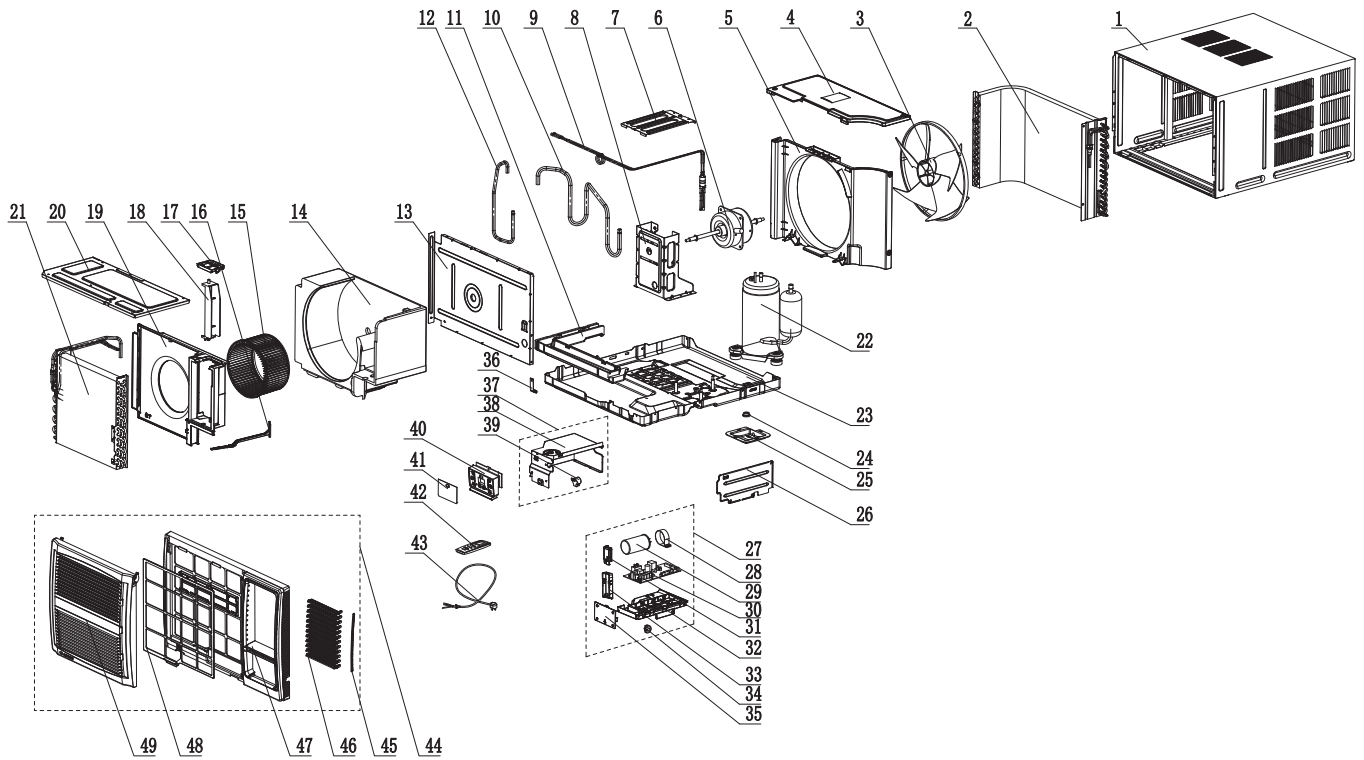
GJC05AI-K6NMNR1A

Spare Parts List

No.	Part Description	Part Code
1	Cabinet Assy	0143117601
2	Condenser Assy	01100206065101
3	Clapboard Sub-assembly (Back)	00007506005702
4	Axial Flow Fan	10331160
5	Rear Clapboard	200030060003
6	Fan Motor	15010106017602
7	Centrifugal Fan	103003060013
8	Clapboard Sub-assembly (Front)	017021060222
9	Foam(Upper Propeller)	120008060023
10	Air Outlet Frame Assy	000141060029
11	Air Outlet Frame	200095060007
12	Connecting Rod Sub-assy	000110060009
13	Air Louver	10511123
14	Evaporator Assy	011001061144
15	Foam (Water Tray)	120001060009
16	Foam(Lower Volute)	120008060022
17	Inhalation Tube	035006061708
18	Discharge Tube Sub-assy	030013061073
19	Capillary Sub-assy	030006060728
20	Compressor and Fittings	009001060445
21	Compressor Gasket	76710302
22	Chassis Sub-assy	01700006025001P
23	Drainage hole Cap	76711012
24	Drainage Box	2018112501
25	Electric Box Assy 2	100002067515
26	Synchronous Motor	152102172
27	Electric Box Assy 2	100002067604
28	Capacitor CBB65	3302035228
29	Controll Switch	45010312
30	Thermostat	4504004701
31	Sleeving	4203240201
32	Side plate (electric box)	012042060009
33	Power Cord	40020491
34	Controll Panel	20161215
35	Chassis Clamp	01211151
36	Front Panel Assy	000003000254
37	Guide Blade Lever	10581203
38	Guide Blade	105111264
39	Front Case	2000154201
40	Filter Sub-Assy	11121204
41	Front Panel	20006400002201S
42	Swing Switch	45020104

GJC07AK-K6NRNR1A

Exploded View



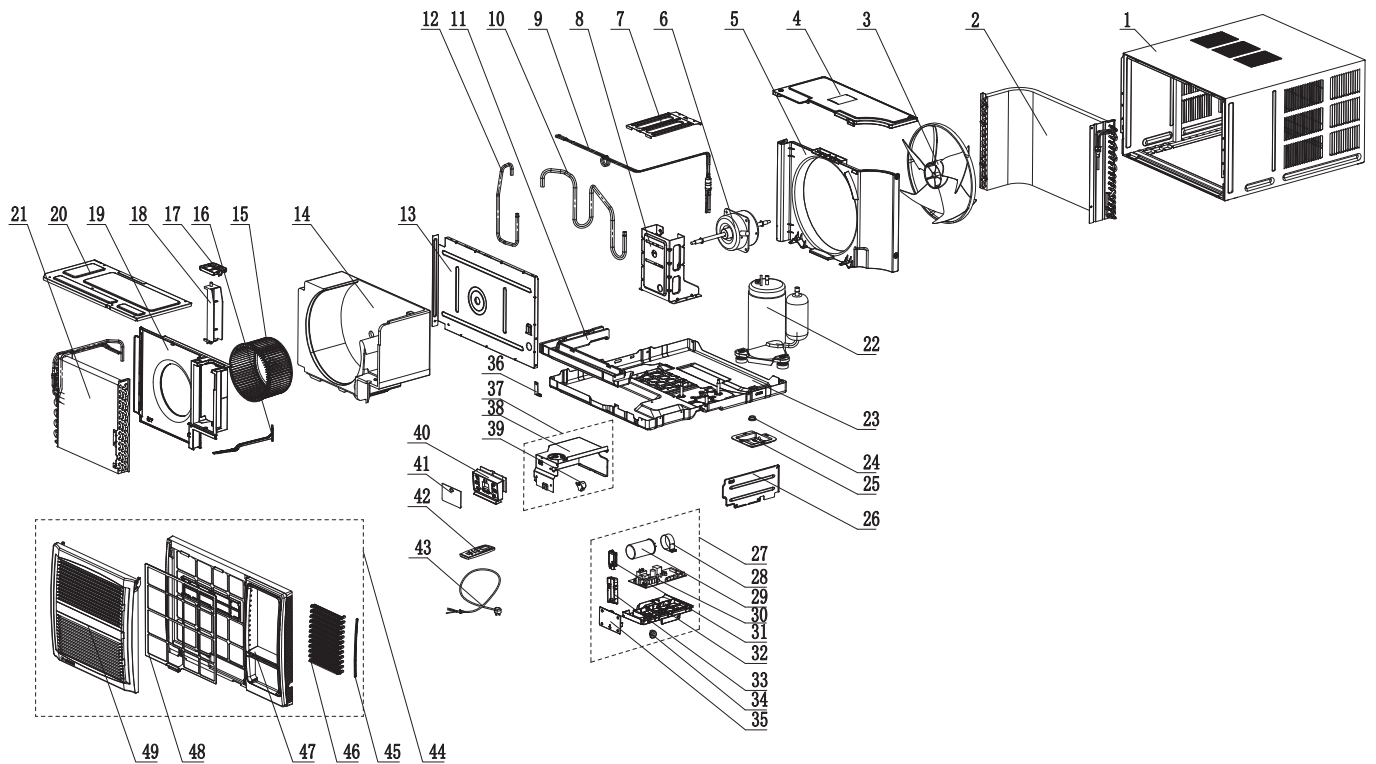
GJC07AK-K6NRNR1A

Spare Parts List

No.	Part Description	Part Code
1	Cabinet Assy	0143111603
2	Condenser Assy	011002061160
3	Axial Flow Fan	10331365
4	Rear Cover Plate	N/A
5	Rear Clapboard	200030060007
6	Fan Motor	150101060294
7	Connection plate	012077060684
8	Motor Support	01204800022
9	Capillary Sub-assy	030006060822
10	Suction tube	035006061937
11	water tray	N/A
12	exhaust pipe	030013061223
13	Front Clapboard Sub-Assy	017002060003
14	Foam(Propeller Housing)	120008060026
15	Centrifugal Fan	10311208
16	Air Door Lever	10581303
17	Top cover (small)	200050060024
18	Air Louver	10511127
19	Partition (volute)	180431000003
20	Front cover	012148060212
21	Evaporator Assy	011001061233
22	Compressor and Fittings	009001060513
23	Chassis Sub-assy	01700006051902P
24	Drainage hole Cap	76711012
25	Drainage Box	2018112501
26	Electrical box side plate	012042060021
27	Electric Box Assy 2	100002068959
28	Capacitor Clamp	02141381
29	Capacitor	3302035230
30	Main Board	300002060975
31	Detecting Plate	300018000002
32	Insatallation Box	20017700027
33	Support WIFI	200114060043
34	Sleeving	4203240201
35	Baffle Plate	26111038
36	Chassis Clamp	01211307
37	Electric Box Assy	100002068960
38	Electrical box	012017060624
39	Stepping Motor	1521100803
40	LCD Board(Remote Control)	2012003601
41	Membrane	22431132
42	Remote Controller	305001000097
43	Power Cord	4002049121
44	Front Panel Assy	000003000247
45	Guide Blade Lever	10581305
46	Air Louver	1051103301
47	Front Case	2000141901
48	Filter Sub-Assy	11121304
49	Air Intake Panel	20006400001801S

GJC09AK-K6NRNR1A

Exploded View



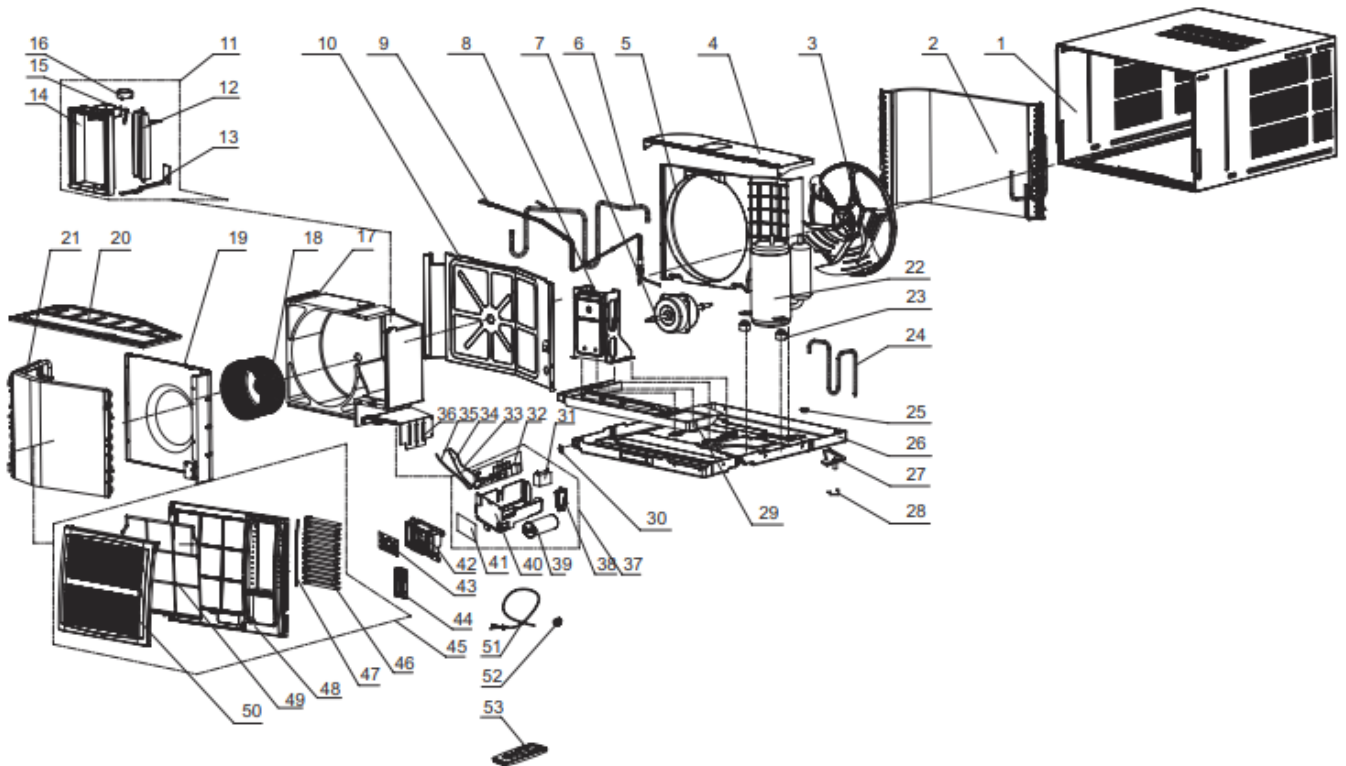
GJC09AK-K6NRNR1A

Spare Parts List

No.	Part Description	Part Code
1	Cabinet Assy	0143111603
2	Condenser Assy	011002061160
3	Axial Flow Fan	10331365
4	Rear Cover Plate	200050060023
5	Rear Clapboard	200030060007
6	Fan Motor	150101060294
7	Connection plate	012077060684
8	Motor Support	01204800022
9	Capillary Sub-assy	030006060824
10	Suction tube	035006061938
11	water tray	N/A
12	exhaust pipe	035008061968
13	Front Clapboard Sub-Assy	017002060003
14	Foam(Propeller Housing)	120008060026
15	Centrifugal Fan	10311208
16	Air Door Lever	10581303
17	Top cover (small)	200050060024
18	Air Louver	10511127
19	Partition (volute)	180431000003
20	Front cover	012148060212
21	Evaporator Assy	011001061233
22	Compressor and Fittings	009001060503
23	Chassis Sub-assy	017000060519P
24	Drainage hole Cap	76711012
25	Drainage Box	2018112501
26	Electrical box side plate	012042060021
27	Electric Box Assy 2	100002068963
28	Capacitor Clamp	02141381
29	Capacitor	3302035227
30	Main Board	300002060975
31	Detecting Plate	300018000002
32	Insatallation Box	20017700027
33	Support WIFI	200114060043
34	Sleeving	4203240201
35	Baffle Plate	26111038
36	Chassis Clamp	01211307
37	Electric Box Assy	100002068960
38	Electrical box	012017060624
39	Stepping Motor	1521100803
40	LCD Board(Remote Control)	2012003601
41	Membrane	22431132
42	Remote Controller	305001000097
43	Power Cord	4002049121
44	Front Panel Assy	000003000247
45	Guide Blade Lever	10581305
46	Air Louver	1051103301
47	Front Case	2000141901
48	Filter Sub-Assy	11121304
49	Air Intake Panel	20006400001801S

GJC12AG-K6NRNR1A

Exploded View



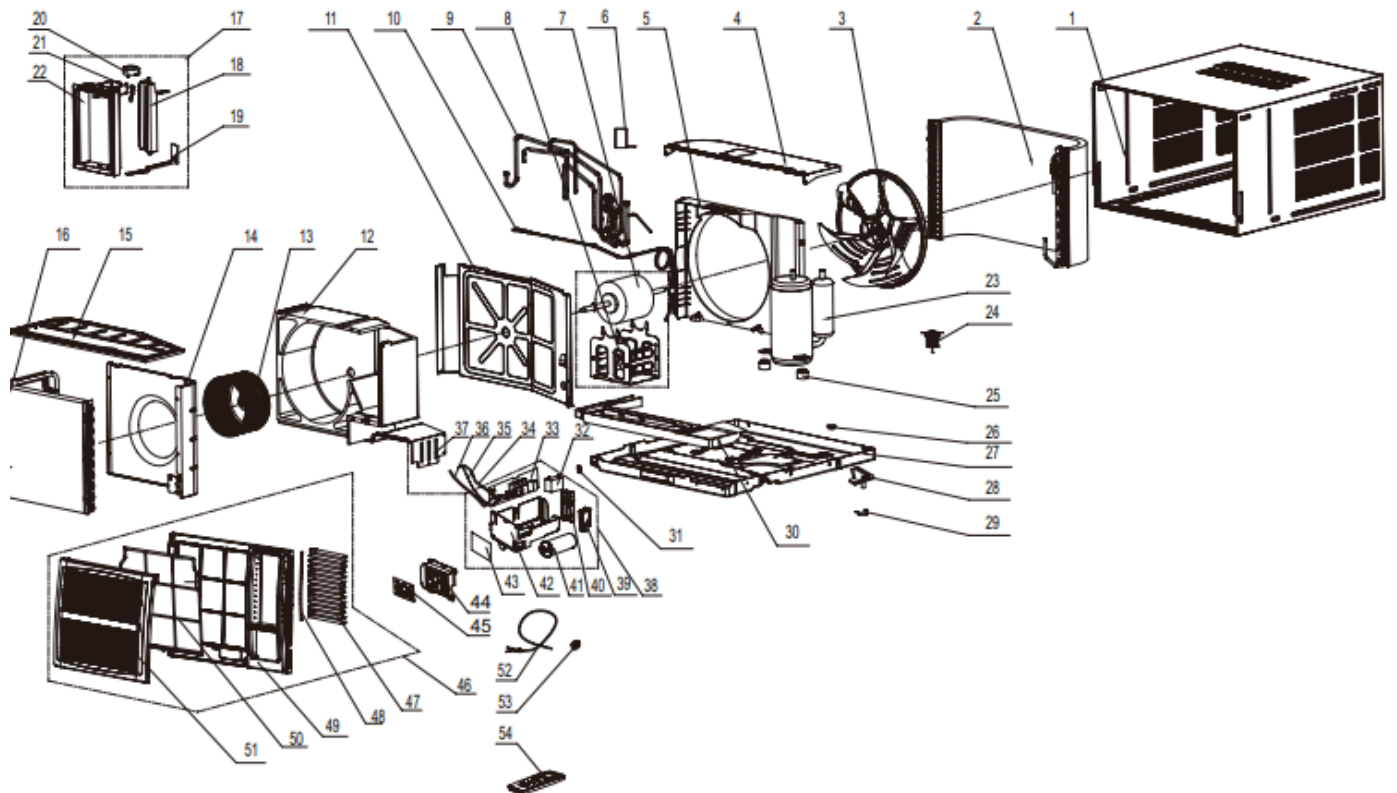
GJC12AG-K6NRNR1A

Spare Parts List

No.	Part Description	Part Code
1	Cabinet Assy	000006000021
2	Condenser Assy	01100206055001
3	Axial Flow Fan	103002060004
4	Rear Cover Plate	22241017
5	Rear Clapboard	20051024
6	Inhalation Tube Sub-assy	030010060743
7	Fan Motor	15011061
8	Motor Support	01701032
9	Capillary Sub-assy	030006060614
10	Front Clapboard Sub-Assy	01301021
11	Air Outlet Sub-Assy	20001730
12	Air Louver	10511041
13	Air Door Lever Sub-assy	10581154
14	Air door support	24211039
15	Crank	73011006
16	Stepping Motor	1521211601
17	Foam(Propeller Housing)	12311654
18	Centrifugal Fan	10311208
19	Front Clapboard of Propeller Housing	01231157
20	Front cover	01251026
21	Evaporator Assy	01100100312
22	Compressor and Fittings	009001060361
23	Compressor Gasket	009012000022
24	Discharge Tube	035008061487
25	Drainage hole Cap	76711012
26	Chassis Sub-assy	0120111209P
27	Drainage Box	2018180101
28	Cabinet Fastener	26251601
29	Water Tray Sub-Assy	00007000003
30	Chassis Clamp	01211601
31	Capacitor CBB61S	3301074714
32	Main Board	300002060978
33	Temperature Sensor	390000451
34	Temperature Sensor	390000596
35	Tube sensor	390001060014
36	Side plate (electric box)	01361019
37	Electric Box Assy	100002066876
38	Detecting Plate	300018000002
39	Capacitor CBB65	3300008102
40	Electric Box (Remote Control)	2011113901
41	Display Board	30562019
42	LCD Board(Remote Control)	2012131801
43	Membrane	22431132
44	Support WIFI	200114060043
45	Front Panel Assy	000003000256
46	Guide Blade	1051160210
47	Guide Blade Lever	10581604
48	Front Case	2000160103
49	Filter Sub-Assy	11121601
50	Air Intake Panel	20006400001601S
51	Power Cord	40020491
52	Sleeving	4203240201
53	Remote Controller	305001000097

GJC18AE-K6NRNR1A

Exploded View



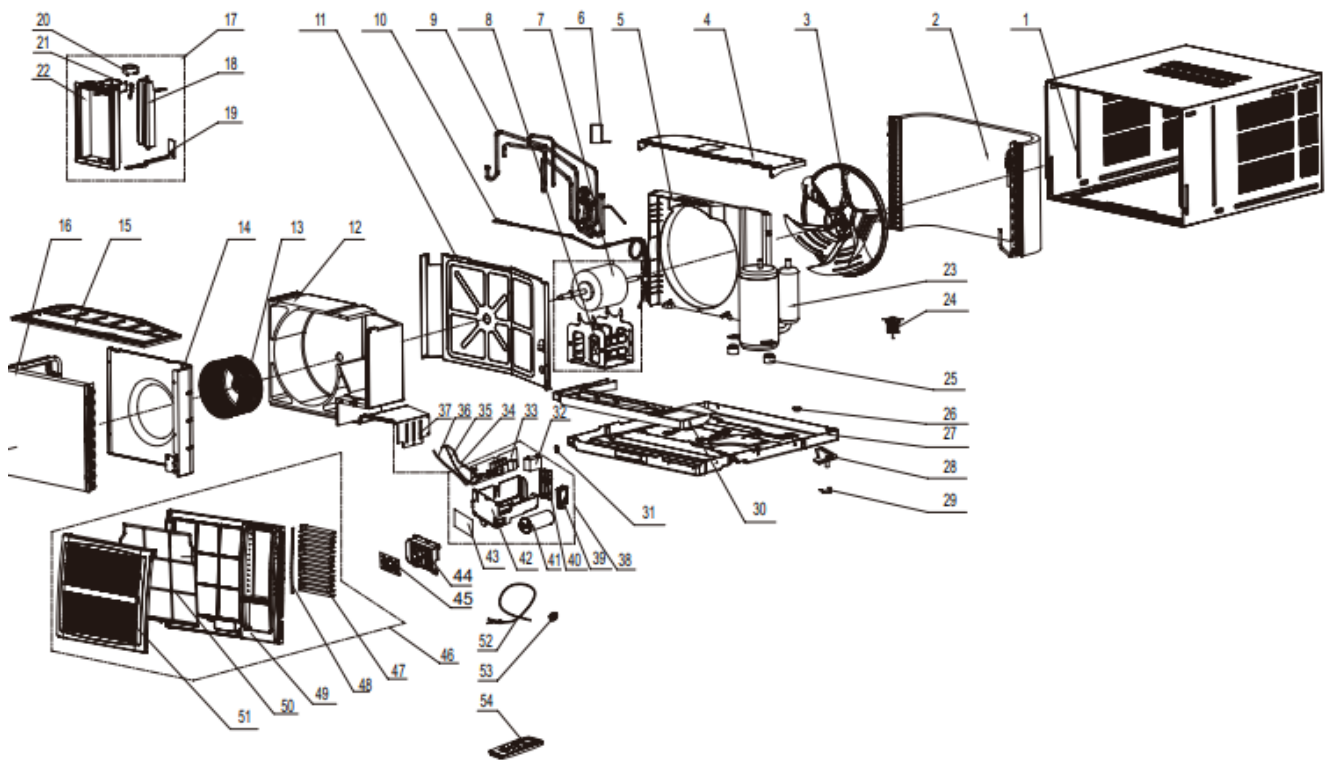
GJC18AE-K6NRNR1A

Spare Parts List

No.	Part Description	Part Code
1	Cabinet Assy	000006000025
2	Condenser Assy	01100206017202
3	Axial Flow Fan	10331163
4	Rear Cover Plate	20121096
5	Rear Clapboard	20051019
6	Motor Assy	000294000007
7	Fan Motor	15011053
8	Inhalation Tube Sub-assy	030010060793
9	Capillary Sub-assy	030006060648
10	Front Clapboard Sub-Assy	01301021
11	Foam(Propeller Housing)	12311654
12	Centrifugal Fan Sub-Assy	10311501
13	Front Clapboard of Propeller housing	0123115703
14	Front cover	01251026
15	Evaporator Assy	01100100312
16	Air Outlet Sub-Assy	20001730
17	Air Louver	10511041
18	Air Door Lever Sub-assy	10581154
19	Stepping Motor	1521211601
20	Crank	73011006
21	Air door support	24211039
22	Compressor and Fittings	009001060399
23	Discharge Tube	035008061485
24	Compressor Gasket	009012000004
25	Drainage hole Cap	76711012
26	Chassis Sub-assy	0120122420P
27	Drainage Box	2018180101
28	Cabinet Fastener	26251601
29	Water Tray Sub-Assy	00007000003
30	Chassis Clamp	01211601
31	Capacitor CBB61S	3301074708
32	Main Board	300002060980
33	Temperature Sensor	390000451
34	Temperature Sensor	390000596
35	Tube sensor	3900012141
36	Side plate (electric box)	01361019
37	Electric Box Assy	100002066877
38	Detecting Plate	300018000002
39	Capacitor CBB65	3300008103
40	Electric Box (Remote Control)	2011113901
41	Display Board	30562019
42	LCD Board(Remote Control)	2012131801
43	Membrane	22431132
44	Support WIFI	200114060043
45	Front Panel Assy	000003000256
46	Guide Blade	1051160210
47	Guide Blade Lever	10581604
48	Front Case	2000160103
49	Filter Sub-Assy	11121601
50	Air Intake Panel	20006400001601S
51	Power Cord	40020491
52	Sleeving	4203240201
53	Remote Controller	305001000097

GJC21AE-K6NRNR1A

Exploded View



GJC21AE-K6NRNR1A

Spare Parts List

No.	Part Description	Part Code
1	Cabinet Assy	000006000025
2	Condenser Assy	01100206017201
3	Axial Flow Fan	10331163
4	Rear Cover Plate	20121096
5	Rear Clapboard	20051019
6	Motor Assy	000294000007
7	Fan Motor	15011053
8	Inhalation Tube Sub-assy	030010060744
9	Capillary Sub-assy	030006060615
10	Front Clapboard Sub-Assy	01301021
11	Foam(Propeller Housing)	12311654
12	Centrifugal Fan	10311602
13	Front Clapboard of Propeller housing	0123115703
14	Front cover	01251026
15	Evaporator Assy	011001000220
16	Air Outlet Sub-Assy	20001730
17	Air Louver	10511041
18	Air Door Lever Sub-assy	10581154
19	Stepping Motor	1521211601
20	Crank	73011006
21	Air door support	24211039
22	Compressor and Fittings	009001060229
23	Discharge Tube	035008061485
24	Compressor Gasket	76713081
25	Drainage hole Cap	76711012
26	Chassis Sub-assy	0120122418P
27	Drainage Box	2018180101
28	Cabinet Fastener	26251601
29	Water Tray Sub-Assy	00007000003
30	Chassis Clamp	01211601
31	Capacitor CBB61S	3301074708
32	Main Board	300002060980
33	Temperature Sensor	390000451
34	Temperature Sensor	390000596
35	Tube sensor	3900012141
36	Side plate (electric box)	01361019
37	Electric Box Assy	100002066877
38	Detecting Plate	300018000002
39	Capacitor CBB65	3300008103
40	Electric Box (Remote Control)	2011113901
41	Display Board	30562019
42	LCD Board(Remote Control)	2012131801
43	Membrane	22431132
44	Support WIFI	200114060043
45	Front Panel Assy	000003000256
46	Guide Blade	1051160210
47	Guide Blade Lever	10581604
48	Front Case	2000160103
49	Filter Sub-Assy	11121601
50	Air Intake Panel	20006400001601S
51	Power Cord	400204911
52	Sleeving	4203240201
53	Remote Controller	305001000097

It is the policy of Gree Australia to introduce continuous product improvements.
Accordingly, specifications are subject to change without notice.
Please consult with your dealer to confirm the specifications of the model selected.

1800 473 346
greeac.com.au

